

# VERTISTACK® AVANTE®

## garage doors

ALUMINUM AND GLASS CONSTRUCTION



America's Favorite Garage Doors®



*Model VSAX / Bronze (Anodized) Frame with  
Midnight Gray Tinted Glass; Features Standard  
Black Powder-Coated Track and Guide Covers.  
Photo Credit: Andy Frame Photography.*

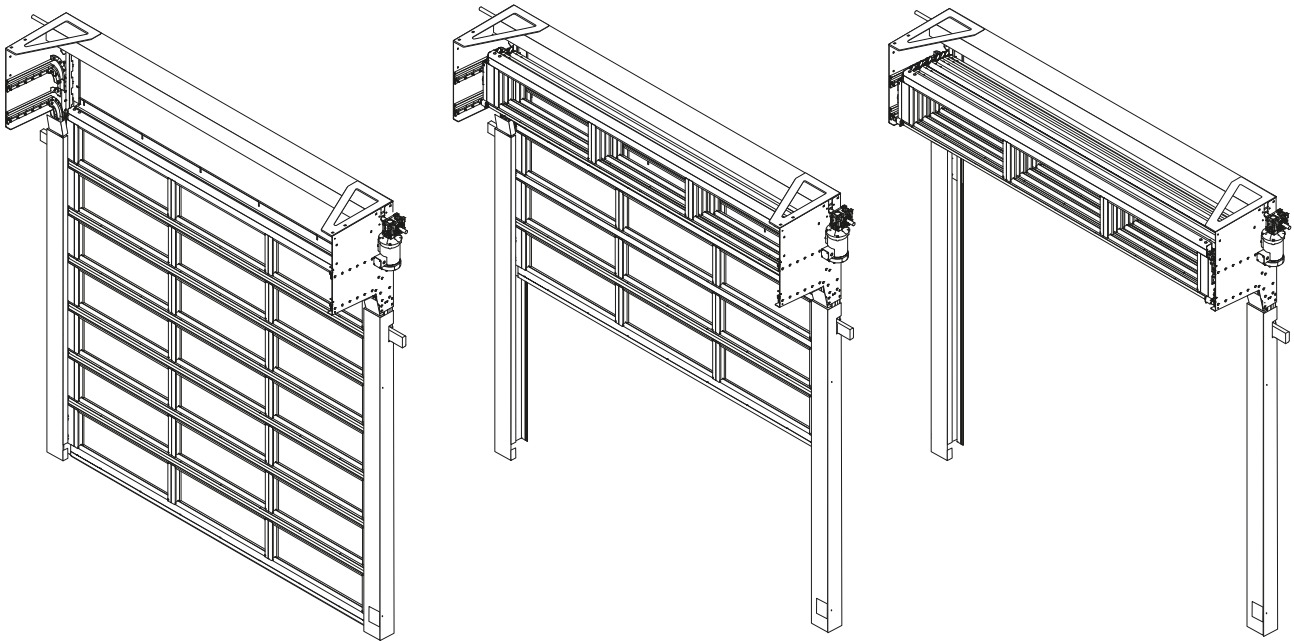


Model VSAXU / Black (Anodized) Frame  
With Frosted Tempered Glass

# COMPACT vertical STACKING door

## VERTISTACK® AVANTE®

Connect to the outdoors with our VertiStack® Avante® modern aluminum and glass garage door. The unique, compact design stacks sections vertically on the wall above the opening, eliminating the need for exposed hinges, cable or overhead track for a crisp, clean look. Closed, the glass panel door lets in daylight and outdoor views. When opened, the interior footprint extends outside, creating an easy flow during gatherings.



### OPEN CONCEPT

*Drawing shown with optional spring cover.*

The stacked sections require minimal projection off of the wall, so the door doesn't interfere with mechanical, electrical or plumbing fixtures, leaving room for fans, lighting, overhead storage or extended height ceilings. The sections can even be recessed into a ceiling soffit so when the door is open, no one will know it's there.



Model VSAXU

Model VSAX

## STYLE AND CONSTRUCTION

- Aluminum frame provides a virtually maintenance-free, long-lasting door.
- Intellicore® polyurethane insulated rails and stiles. (Model VSAXU)
- Section joint seal helps keep out air and water.
- Heavy-duty steel ball bearing rollers with nylon tires provide quiet operation.

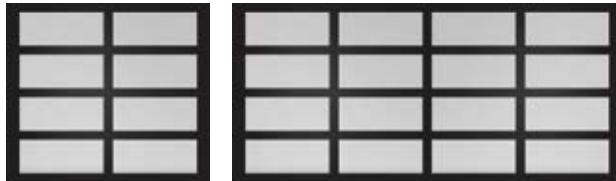
## FRAME/SOLID PANEL COLOR OPTIONS



Due to the anodizing process, color variation may occur. The use of "Bronze (Painted)" is recommended for a more consistent bronze finish color.

Choose a Color Blast® finish or RAL Powder Coating to create the perfect door. Model VSAXU not available with RAL Powder Coat finish.

## DOOR DESIGNS



VSAX/VSAXU  
Single car door

VSAX/VSAXU  
Double car door

## GLASS/PANEL OPTIONS



\*Glass is tempered.

† Impacted rated glass is not available on VSAX/VSAXU models.

Glass available in single pane or insulated (laminated and mirrored glass not available insulated). Panels can be aluminum to match the frame. Glass/acrylic panels may be combined with aluminum panels. Custom glass and colors available. Acrylic windows require special cleaning. See care and maintenance manual.

## OPERATION AND STRUCTURAL REQUIREMENTS

### Motor operation required.

The standard VertiStack® operator includes a hand crank kit for emergency use only. The door is supported by a guide assembly attached to the jamb construction. Header support is required for mounting the counterbalance system as is required with any standard sectional door.

For residential applications and interior mount only.

### OPTIONAL GLASS

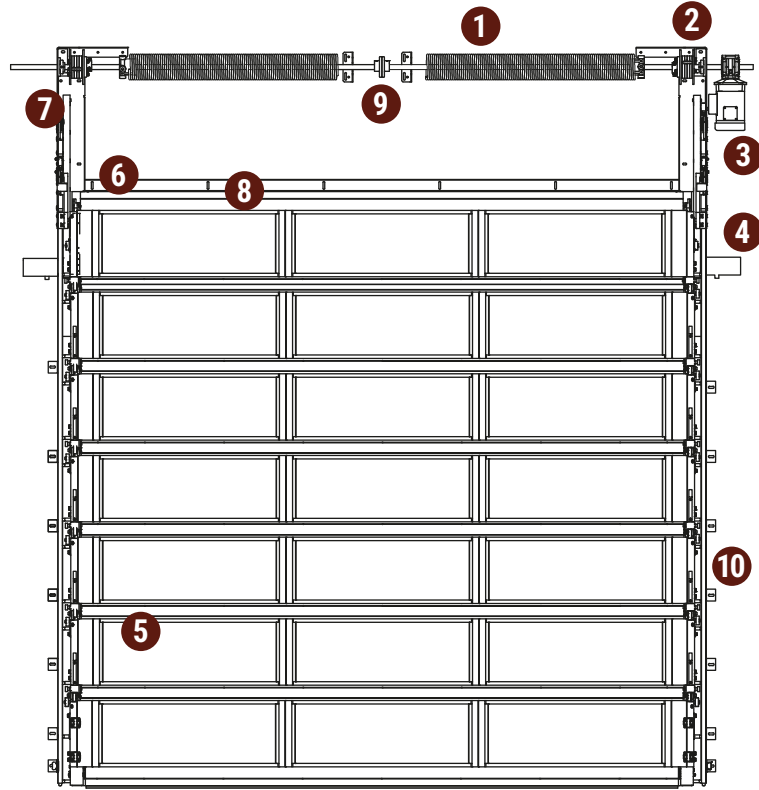
- A variety of glass and acrylic panels are available, including tempered, insulated, frosted and Low-E options available. Glass thickness available in 1/8", 1/4" and 1/2". Tri-wall polycarbonate thickness available in 5/8".

### CERTIFICATIONS AND LISTINGS

- Meets UL325 Certified requirements

## STANDARD COMPONENT MATERIALS AND FINISHES

- 1. TORSION SPRINGS**  
25,000-cycle springs
- 2. STRAP SPOOL**  
2" nylon strap in lieu of cable
- 3. OPERATOR**  
Direct drive (side mount)
- 4. LOCK**  
Automatic locks integrated into vertical track
- 5. SECTIONS**  
Clear anodized aluminum (standard)
- 6. HEADER CHANNEL**  
For top seal contact, cable management and installation tool
- 7. HEAD PLATE ASSEMBLIES**  
Powder coated in Matte Black II
- 8. TOP SEAL**  
Mounts to top section
- 9. SHAFT COUPLER**  
Only available on wider doors
- 10. TRACK**  
Standard black powder-coated track with jamb seals



## ADDITIONAL KEY FEATURES

- Operator is UL 325 Certified for residential applications.
- Technology to identify panel hang ups
- Programmable controllers
- Slide bolt auto locks (just above lower rollers of top section)
- Improved rollers capable of lower temperature operation -15F/-26C
- Door widths from 5' - 18'6" (W4 door width up to 16'2")
- Door heights from 6' - 10'
- Soft start operation
- Standard guide covers
- Optional 2 and 3-sided hood (Adding a hood to a wider door may require additional supports).
- Optional spring cover
- Hand crank for manual operation



Visit [clopaydoor.com](https://www.clopaydoor.com) or call 1-800-2CLOPAY (225-6729) for more information on Clopay, America's Favorite Garage Doors.

Follow us on

MADE IN USA



©2026 Clopay Corporation. All rights reserved.

RSDR-VERTISTACKSS-24\_REV0326



START DESIGNING  
YOUR NEW  
GARAGE DOOR  
OPEN CAMERA  
AND POINT!